

[TITAN]

LED FLOODLIGHT



Description

The [TITAN] LED floodlight is the toughest and most powerful light in Teknik's range. Designed for outdoor applications requiring bright, energy saving and robust performance. The high output LED and PC lens provide outstanding uniformity and efficiency.



Key Features

- Compact design
- Die cast aluminum housing with external fins, ensure greater heat dissipation
- Excellent anticorrosion performance
- Adjustable U bracket wall mount standard for easy installation
- Durable PC optics resist yellowing

Heavy Duty Build

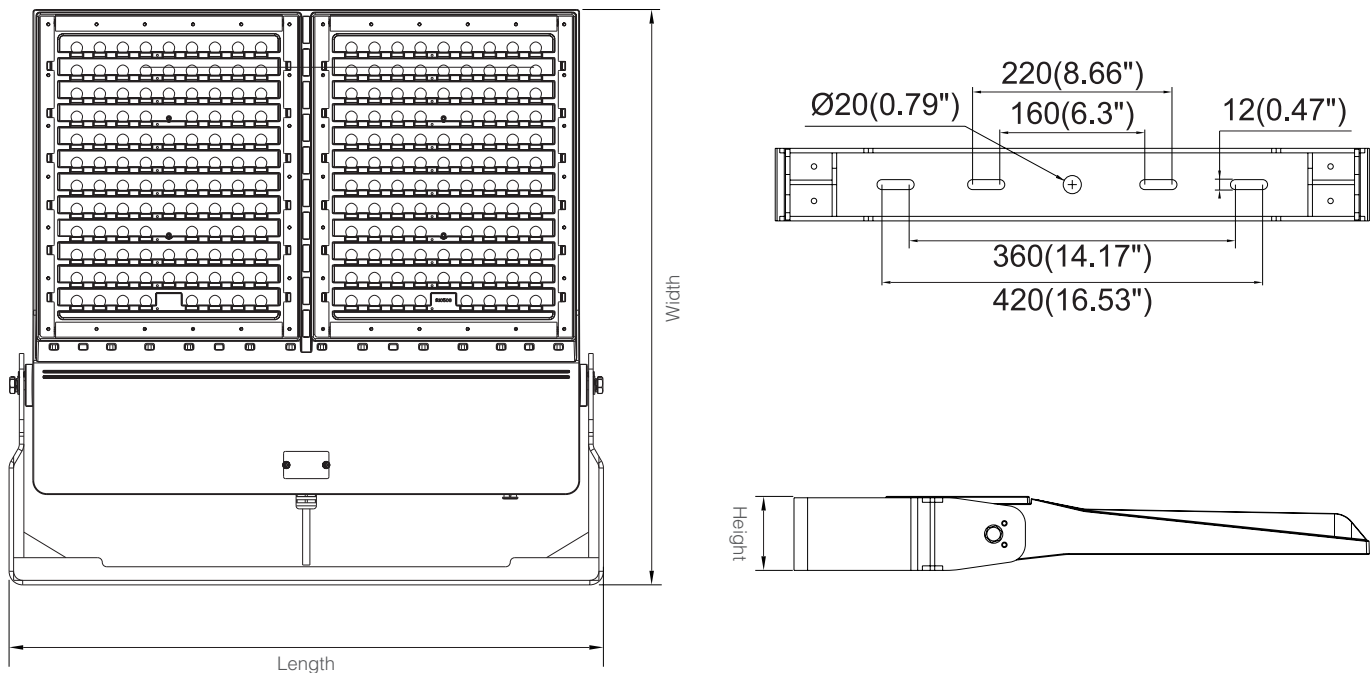
Industrial powder coating to ensure product durability through all environmental conditions.



Technical Specifications

Rated Life	≥50,000 hours	Operating Temperature	-30°C to +50°C
Body	Powder Coated Aluminium	Input Voltage	100-240VAC ~ 50/60Hz
Installation	Adjustable Bracket	IP Rating	IP66
Beam Angle	T4 38° X 148°	Connection	M20 Cable Gland
Power Factor	>0.92	Weight	15.7 kg
CRI	≥Ra70		

Dimensional Drawing



Model	Length mm	Width mm	Height mm	Weight kg
FT-450DT4	656	635	82	15.7

Product Data

Part Number	Power	Lumen Output	CCT
FT-450DT4	450W	67,500lm	5000K